



innova
renewing energies

ONDERDELEN LIJST, 2022

- Airleaf SL en RS fancoils
- 2.0 Monoblock airco's
 - 9HP
 - 10HP
 - 12HP
 - 15HP

SPARE PART LIST 2022



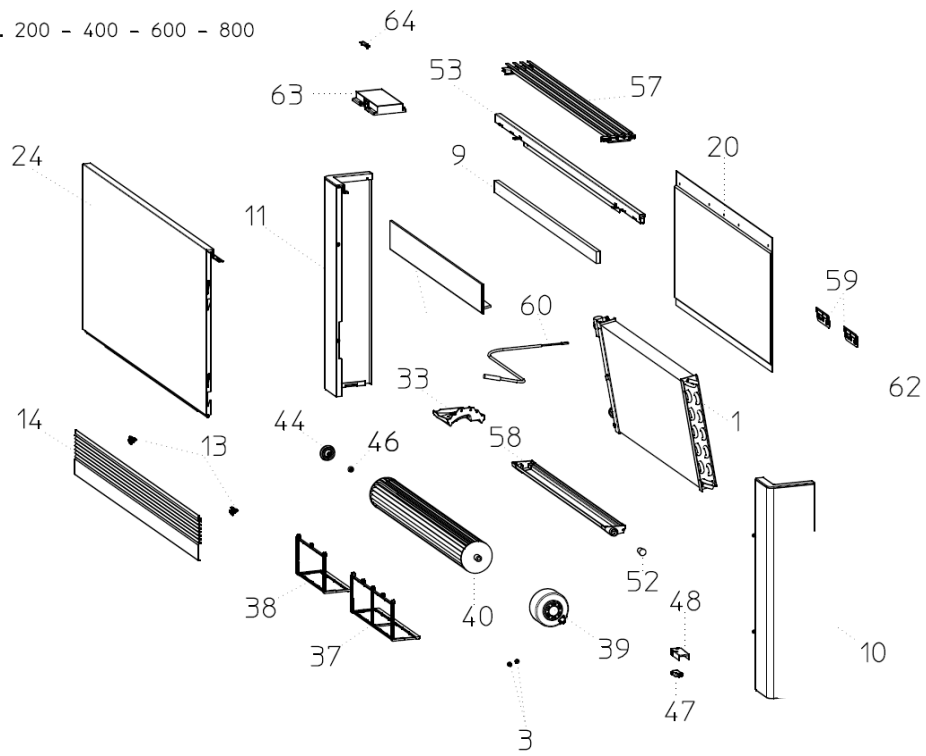
AIRLEAF SL-RS

POS	DESCRIPTION	CODE	LIST PRICE
1	WATER COIL 200	R256518B	97,85 €
	WATER COIL 400	R256514B	122,74 €
	WATER COIL 600	R256515B	152,32 €
	WATER COIL 800	R256516B	186,65 €
	WATER COIL 1000	R256517B	217,28 €
3	SCREW GROMMET	R282219A	8,76 €
9	UPPER CROSSPIECE INSULATOR MOD.200	R273665A	9,49 €
	UPPER CROSSPIECE INSULATOR MOD.400	R273666A	9,61 €
	UPPER CROSSPIECE INSULATOR MOD.600	R273667A	9,72 €
	UPPER CROSSPIECE INSULATOR MOD.800	R273668A	9,85 €
	UPPER CROSSPIECE INSULATOR MOD.1000	R273669A	10,02 €
10	RIGHT METAL SIDE - RAL 9003	RN594692D299	48,69 €
11	LEFT METAL SIDE - RAL 9003	RN594693D299	48,69 €
13	PLASTIC HOOKS FOR GRID FIXING (COUPLE)	R282059B	11,78 €
14	FRONT GRILL ASSEMBLY+PLASTIC FIXING MOD.200 -RAL 9003	RN594694D299	48,86 €
	FRONT GRILL ASSEMBLY+PLASTIC FIXING MOD.400 -RAL 9003	RN594695D299	58,12 €
	FRONT GRILL ASSEMBLY+PLASTIC FIXING MOD.600 -RAL 9003	RN594696D299	67,16 €
	FRONT GRILL ASSEMBLY+PLASTIC FIXING MOD.800 -RAL 9003	RN594697D299	81,17 €
	FRONT GRILL ASSEMBLY+PLASTIC FIXING MOD.1000 -RAL 9003	RN594698D299	88,41 €
20	BACK INSULATOR MOD.200	RN273649B	21,95 €
	BACK INSULATOR MOD.400	RN273650B	25,76 €
	BACK INSULATOR MOD.600	RN273651B	36,55 €
	BACK INSULATOR MOD.800	RN273652B	36,65 €
	BACK INSULATOR MOD.1000	RN273653B	36,88 €

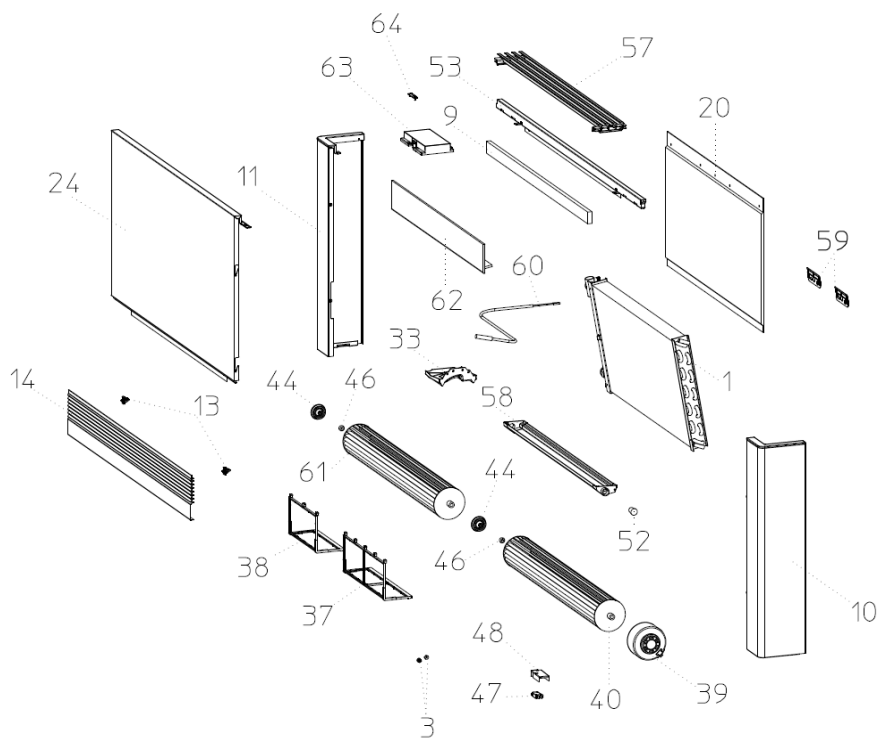
24	FRONTAL PANEL SL MOD.200 - RAL 9003	RN596466B299SL	82,39 €
	FRONTAL PANEL SL MOD.400 - RAL 9003	RN596471B299SL	99,44 €
	FRONTAL PANEL SL MOD.600 - RAL 9003	RN596472B299SL	105,27 €
	FRONTAL PANEL SL MOD.800 - RAL 9003	RN596473B299SL	120,45 €
	FRONTAL PANEL SL MOD.1000 - RAL 9003	RN596474B299SL	130,24 €
	FRONTAL PANEL RS MOD.200 - RAL 9003	RN596466B299RS	96,91 €
	FRONTAL PANEL RS MOD.400 - RAL 9003	RN596471B299RS	102,52 €
	FRONTAL PANEL RS MOD.600 - RAL 9003	RN596472B299RS	111,65 €
	FRONTAL PANEL RS MOD.800 - RAL 9003	RN596473B299RS	120,45 €
	FRONTAL PANEL RS MOD.1000 - RAL 9003	RN596474B299RS	131,34 €
33	SIDE CONDENSE DRAIN PAN	RN282070B	10,77 €
37	FILTER 200	R282060A	13,84 €
	FILTER 400	RN900062A	21,34 €
	FILTER 600	RN591817A	24,86 €
	FILTER 800	RN900063A	32,23 €
	FILTER 1000	RN900064A	40,48 €
39	DC FAN MOTOR FLWD 89-22	RN276300B	80,99 €
40	TANGENTIAL FAN MOD.200	R282087A	39,78 €
	TANGENTIAL FAN MOD.400	R282088A	42,67 €
	TANGENTIAL FAN MOD.600	R282089A	45,54 €
	TANGENTIAL FAN MOD.800	R282090A	46,95 €
	TANGENTIAL FAN MOD.1000	R282091A	43,25 €
44	FAN ELASTIC HOLDER	R279362A	9,21 €
46	TEFLON BEARING	R279392A	10,93 €
44+46	FAN ELASTIC HOLDER + TEFLON BEARING (ASSEMBLED)	RN279362A	18,70 €
52	CENTRAL CONDENSE DRAIN PAN PLUG D 16,5	R282069A	5,85 €
53	BACK CROSSPIECE ASSEMBLED MOD.200 - RAL 9003	RN596492B299	31,88 €
	BACK CROSSPIECE ASSEMBLED MOD.400 - RAL 9003	RN596493B299	33,75 €
	BACK CROSSPIECE ASSEMBLED MOD.600 - RAL 9003	RN596494B299	35,13 €
	BACK CROSSPIECE ASSEMBLED MOD.800 - RAL 9003	RN596495B299	36,81 €
	BACK CROSSPIECE ASSEMBLED MOD.1000 - RAL 9003	RN596496B299	38,40 €

57	SHORT SILVER UPPER GRILL MOD.200	RN594682D200	56,33 €
	SHORT SILVER UPPER GRILL MOD.400	RN594683D200	59,58 €
	SHORT SILVER UPPER GRILL MOD.600	RN594684D200	62,41 €
	SHORT SILVER UPPER GRILL MOD.800	RN594685D200	68,78 €
	SHORT SILVER UPPER GRILL MOD.1000	RN594686D200	72,38 €
58	CENTRAL CONDENSE DRAIN PAN MOD.200	R282210A	18,65 €
	CENTRAL CONDENSE DRAIN PAN MOD.400	R282211A	18,93 €
	CENTRAL CONDENSE DRAIN PAN MOD.600	R282212A	19,22 €
	CENTRAL CONDENSE DRAIN PAN MOD.800	R596490A	24,02 €
	CENTRAL CONDENSE DRAIN PAN MOD.1000	R596491A	24,78 €
59	WALL BRACKET	R212835B	16,17 €
60	AIR/WATER PROBE 10KOHM	RN276365C	16,50 €
61	LEFT TANGENTIAL FAN (ONLY MOD.1000)	R282092A	42,67 €
62	BATTERY SUPERIOR ISOLATION MOD.200	RN594610A	19,39 €
	BATTERY SUPERIOR ISOLATION MOD.400	RN594611A	21,08 €
	BATTERY SUPERIOR ISOLATION MOD.600	RN594612A	22,58 €
	BATTERY SUPERIOR ISOLATION MOD.800	RN594613A	24,20 €
	BATTERY SUPERIOR ISOLATION MOD.1000	RN594614A	25,88 €
63	VALVE COVER	RN591813C	14,63 €
69	DRIP PROLONGS	R282405A	6,08 €
FOR RS MODEL			
65	RS FRONTAL SUPPORT PANEL MOD.200	RN598001A	46,72 €
	RS FRONTAL SUPPORT PANEL MOD.400	RN598002A	54,48 €
	RS FRONTAL SUPPORT PANEL MOD.600	RN598003A	63,28 €
	RS FRONTAL SUPPORT PANEL MOD.800	RN598004A	70,46 €
	RS FRONTAL SUPPORT PANEL MOD.1000	RN598005A	79,61 €
66	DC FAN 3412 NGL WITH CONNECTORS	RN594605C	48,35 €
67	FAN STRUT WITH TERMOACTUATOR	RN598000A	36,30 €
71	230-8,5V DC ELECTRICAL SUPPLIER FOR RS	RN594606E	84,70 €

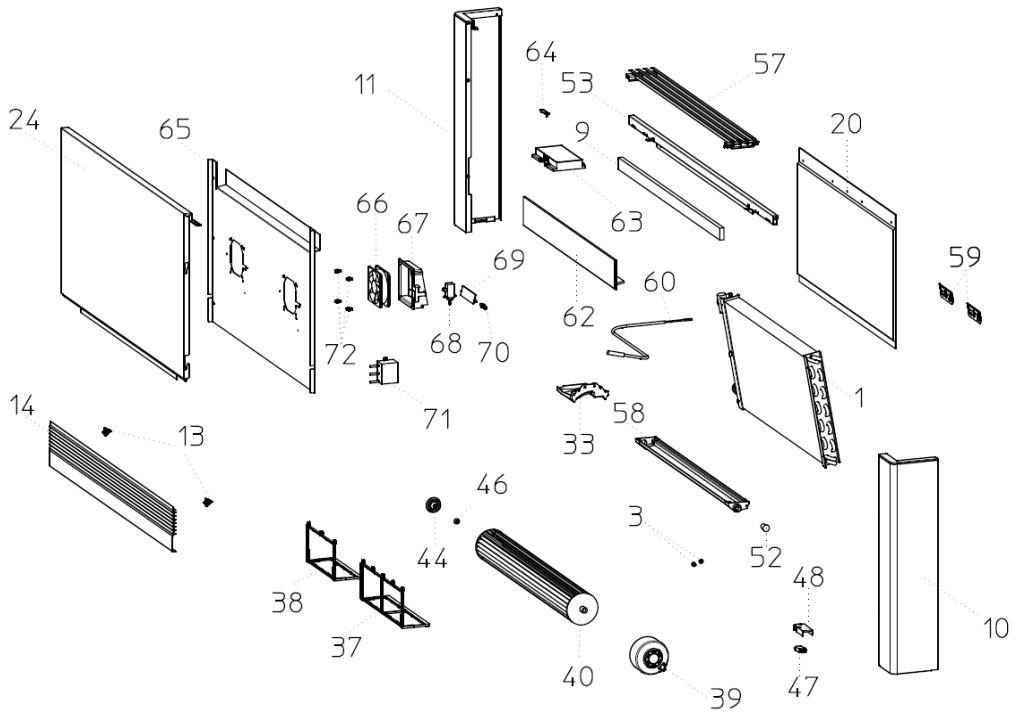
mod. 200 - 400 - 600 - 800



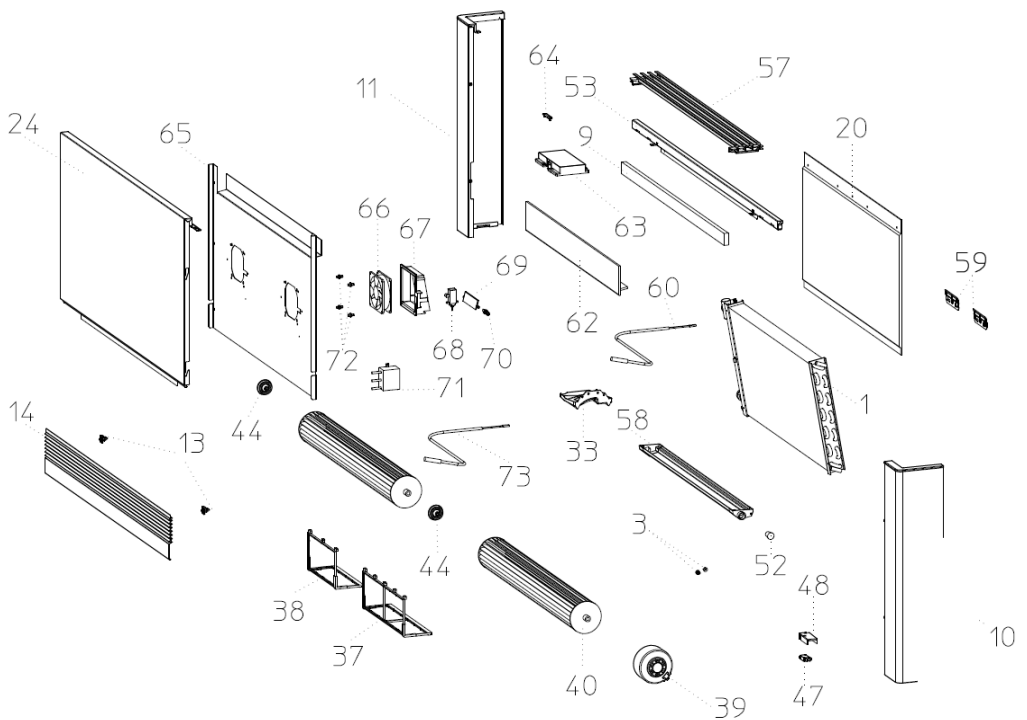
SL 1000



RS 200-400-600-800



RS 1000

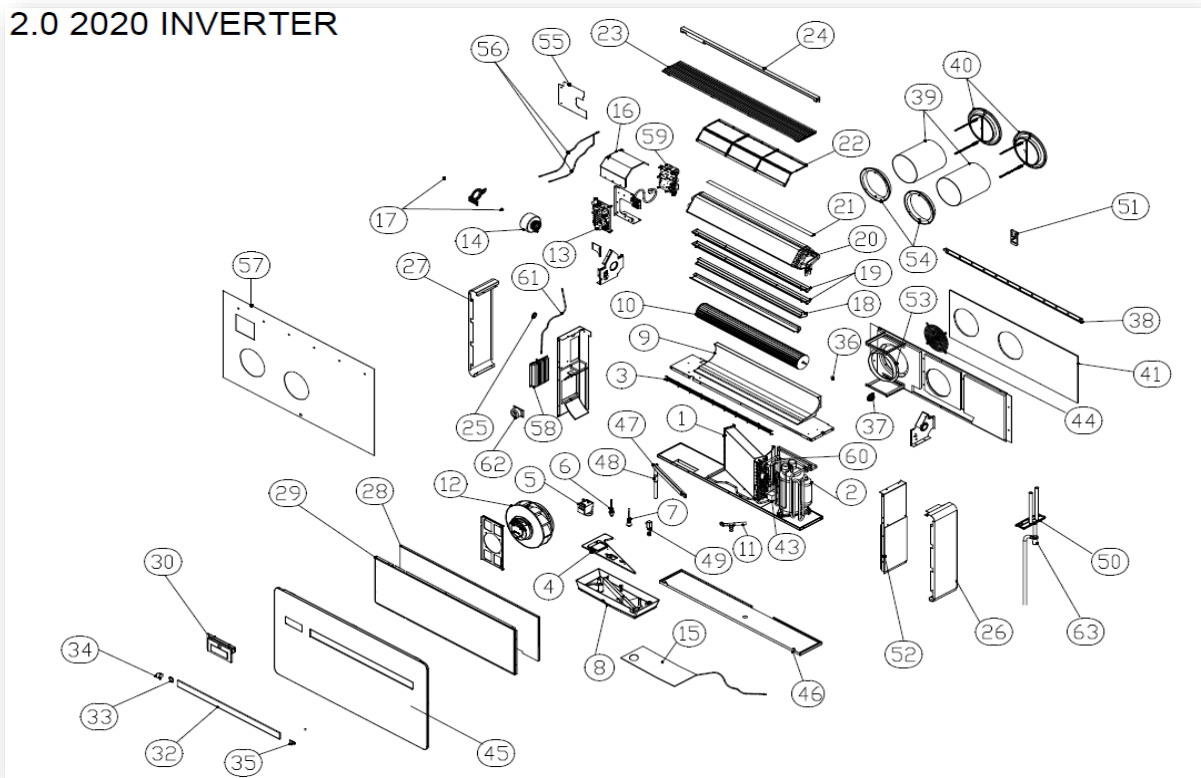


2.0 MINI CZMO09IC3II

POS	DESCRIZIONE	DESCRIPTION	CODICE/CODE	PREZZO DI LISTINO / LIST PRICE
1	BATTERIA DI CONDENSAZIONE	LOWER COIL	RN620209A	197,56 €
2	COMPRESSORE PANASONIC 5SS064ZAA21	COMPRESSOR PANASONIC 5SS064ZAA21	RN640141A	270,38 €
3	GRIGLIA ANTINTUSIONE	UPPER FAN ANTI-INTRUSION GRILL 2.0	RN218853A	16,28 €
4	CHIUSURA VASCHETTA TELAIO INFERIORE	LOWER TRAY CLOSING PART	RN300189A	19,25 €
5	POMPA DI SMALTIMENTO CONDENSA	CONDENSATION PUMP	RN640142A	55,55 €
6	GALLEGGIANTE DI MASSIMA DKRBTF4620 2.0 L=700mm	ALARM FLOAT DKRBTF4620 2.0 L=700mm	RN560007A	18,82 €
7	GALLEGGIANTE DI LIVELLO DKFBTF4600 2.0 L=700mm	LEVEL FLOAT DKFBTF4600 2.0 L=700mm	RN560006A	18,82 €
8	VASCHETTA TELAIO INFERIORE	LOWER TRAY	RN300188A	32,45 €
9	COCLEA	POLYSTIRENE FAN COCHLEA	RN360113A	12,76 €
10	VENTOLA TANGENZIALE	TANGENTIAL FAN	R282088A	42,67 €
11	ASS. RACCORDO SCARICO A T	CONDENSATION DRAIN T-CONNECTION	RN320002A	17,60 €
12	EC FAN	EC FAN	RN520198A	218,79 €
13	SCHEDA MCU 2.0 FULL DC INVERTER	MCU BOARD 2.0 FULL DC INVERTER	RN550058A	74,25 €
14	MOTORE VENTIL DC LG	MOTOR DC LG	RN276300C	81,62 €
15	RESISTENZA EL_230-35W BACINELLA INFERIORE	EL. RESISTANCE 230-35W LOWER TRAY	RN560450A	55,99 €
16	CHIUSURA SUPERIORE PROTEZIONE ACQUA	WATER ELECTRICAL PART PROTECTION	RN283045C	16,61 €
17	MADREVITE FISSAGGIO LAMIERA SOST. VENT.	FAN SUPPORT FIXING NUT	R282219A	8,76 €
18	POLISTIROLO ISOLAMENTO CUT OFF	POLYSTIRENE CUT OFF INSULATION	RN360114A	12,98 €
19	BACINELLA BATTERIA SUPERIORE	UPPER TRAY	RN300191A	17,93 €
20	ASS. BATTERIE SUPERIORI	UPPER COILS ASSEMBLY	RN680026A	173,69 €
21	CHIUSURA CENTRALE BATTERIE SUPERIORI	POLYSTIRENE UPPER COILS CLOSURE	RN360115A	9,90 €
22	FILTRO CON STAFFETTE	AIR FILTER ASSEMBLY	RN580003A	47,08 €
23	ASSIEME GRIGLIA ASPIRAZIONE RAL 9003	INLET GRILL RAL 9003	RN283196A299	67,98 €
24	TRAVERSA POSTERIORE RAL 9003	REAR METAL CROSS RAL 9003	RN218849A299	25,52 €
26	FIANCO DESTRO RAL 9003	RIGHT METAL SIDE RAL 9003	RN212156A299	50,05 €
27	FIANCO SINISTRO RAL 9003	LEFT METAL SIDE RAL 9003	RN212157A299	50,05 €
28	INSONORIZZANTE CHIUSURA FRONTALE	FRONTAL INSULATION	RN341679A	44,55 €
29	PANNELLO CHIUSURA FRONTALE	FRONTAL CLOSING PANEL	RN218852A	28,71 €
30	DISPLAY	DISPLAY	RN550070ACF	129,58 €
32	ALETTA BASCULANTE RAL 9003 + SUPPORTI DX E SX	SWINGING FIN + SUPPORTS	RN220041A299	52,14 €
33	SUPPORTO SX ALETTA BASCULANTE	SWINGING FIN PLASTIC LEFT SUPPORT	RN279001A	10,71 €
34	MOTORE ALETTA BASCULANTE	STEP MOTOR SWINGING FIN	RN276014A	18,88 €
35	SUPPORTO DESTRA ALETTA BASCULANTE	SWINGING FIN PLASTIC RIGHT SUPPORT	RN279000A	10,71 €
36	CUSCINETTO IN TEFLON VENTILATORE	TEFLON BEARING FAN	R279392A	10,93 €
37	SUPPORTO ELASTICO VENTOLA	FAN ELASTIC HOLDER	R279362A	9,21 €
36+37	ASSIEME CUSCINETTO+SUPPORTO VENTOLA	TEFLON BEARING FAN+FAN ELASTIC HOLDER	RN279362A	18,70 €
38	STAFFA FISSAGGIO A MURO	WALL BRACKET	RN218854A	22,00 €
39	FOGLIO PLASTIFICATO PER TUBI PARETE	PLASTIC SHEET FOR WALL	RN270032B	19,47 €
40	GRIGLIE A MURO (KIT COMPLETO)	WALL GRILLS ASSEMBLY	RN599918C	66,88 €
41	INSONORIZZANTE POSTERIORE	REAR INSULATION	RN341672A	15,95 €
	CABLAGGIO COMPLETO FULL DC	CABLE GROUP FULL DC	RN576001B	429,00 €
43	ASSIEME TUBI VALV. 4 VIE	4 WAY VALVE WITH ELECTRICAL COIL	RN680024A	67,65 €
44	PROTEZIONE ANTINTRUSIONE POSTERIORE	LOWER FAN ANTI-INTRUSION GRILL	R212991A	13,02 €
45	FRONTALE RAL9003	FRONTAL METAL PART RAL9003	RN283197A299	70,95 €

47	DISTRIBUTORE CONDENSA BATTERIA	CONDENSATE COIL WATER DISTRIBUTOR	RN283023C	19,14 €
48	VALVOLA DI NON RITORNO DISTRIBUTORE	DISTRIBUTOR CHECK VALVE	RN300048A	18,26 €
49	ASS. TERMOATTUATORE CON CHIUSURA SCARICO	THERMOACTUATOR WITH DRAIN CLOSURE	RN580000A	26,58 €
50	ASS. RACCORDI SCARICHI BACINELLE SUPERIORI	UPPER COILS DRAIN CONNECTIONS	RN580002B	31,79 €
51	TELECOMANDO	REMOTE CONTROL	RN560009A	20,02 €
52	ISOLANTE ESTERNO MONTANTE	INSULATION EXTERIOR IRGHT	RN272093A	11,58 €
53	FLANGIA ASPIRAZIONE IN LAMIERA	INTAKE METAL FLANGE	RN218851B	20,57 €
54	FLANGIA INSTALLAZIONE A PARETE	WALL PLASTIC FLANGE	RN283047B	12,76 €
55	PROTEZIONE POSTERIORE CABLAGGIO	REAR WIRING PROTECTION	RN212058C	13,32 €
56	SONDA DOPPIA DI TEMPERATURA 5KΩ	TEMPERATURE SENSORS DOUBLE 5KΩ	RN276233A	23,16 €
57	DIMA PER INSTALLAZIONE 2.0 MINI	2.0 MINI INSTALLATION TEMPLATE	RN420485A	11,00 €
58	SCHEDA DRIVER	DRIVER BOARD	RN276243B	172,04 €
59	SCHEDA POWER	POWER BOARD	RN276242D	91,19 €
60	EEV - DFP(Q)1.3C-01(1)-RK + QA(Q)12-GL-01-RK	EEV - DFP(Q)1.3C-01(1)-RK + QA(Q)12-GL-01-RK	RN680025A	70,07 €
61	SONDA DI TEMPERATURA 187KΩ	DISCHARGE TEMPERATURE SENSOR 187KΩ	RN276200A	11,88 €
62	REACTOR 2.0 INVERTER WITH 250 "FLAG" TERMINALS	REACTOR 2.0 INVERTER WITH 250 "FLAG" TERMINALS	RN276244A	39,95 €
63	SIFONE 2.0	TRAP DRAIN	RN283054B	

2.0 2020 INVERTER

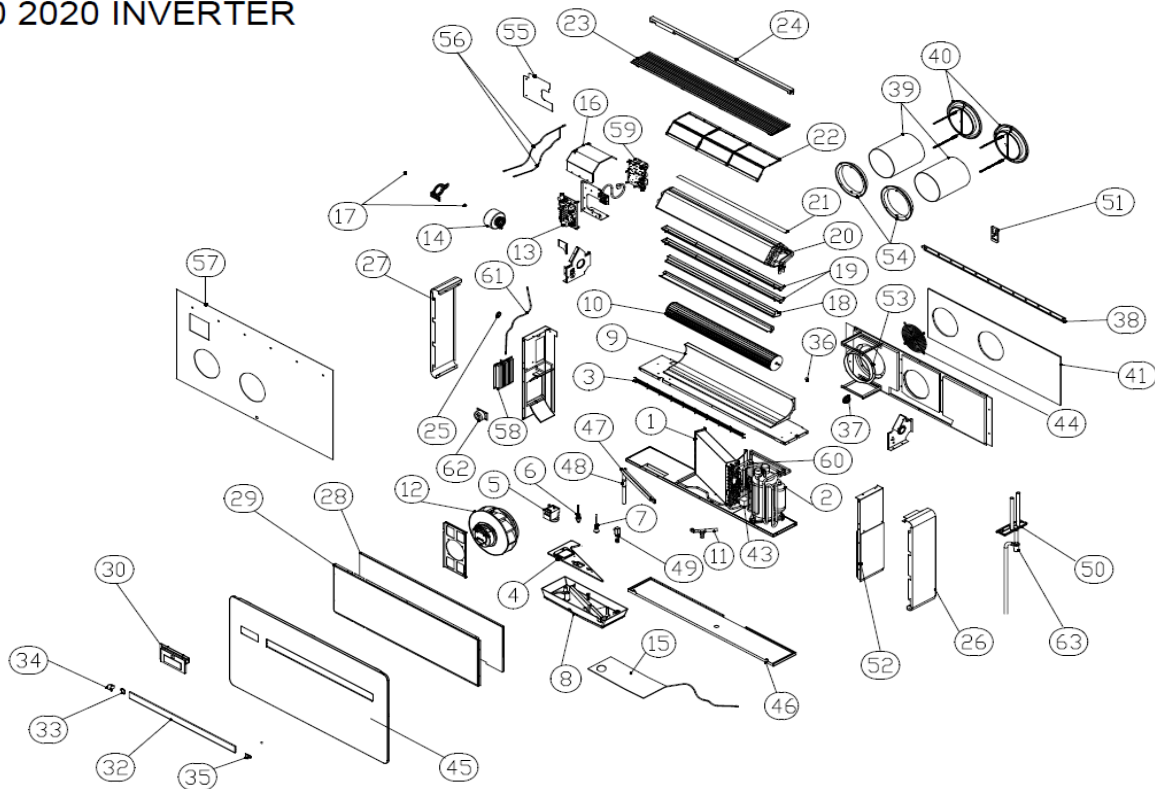


10/12 HP CZMO12IC3II / CZMO10IC3II

POS	DESCRIZIONE	DESCRIPTION	CODICE/CODE	PREZZO DI LISTINO / LIST PRICE
1	BATTERIA DI CONDENSAZIONE	LOWER COIL	RN620023A	185,24 €
2	COMPRESSORE PANASONIC 5SS064ZAA21	COMPRESSOR PANASONIC 5SS064ZAA21	RN640003A	277,42 €
3	GRIGLIA ANTINTRUSIONE	UPPER FAN ANTI-INTRUSION GRILL 2.0	RN212019B	25,48 €
4	CHIUSURA VASCHETTA TELAIO INFERIORE	LOWER TRAY CLOSING PART	RN283040C	27,17 €
5	POMPA DI SMALTIMENTO CONDENSA	CONDENSATION PUMP	RN640019A	55,00 €
6	GALLEGGIANTE DI MASSIMA DKRBTF4620 2.0 L=700mm	ALARM FLOAT DKRBTF4620 2.0 L=700mm	RN560007A	18,82 €
7	GALLEGGIANTE DI LIVELLO DKFBTF4600 2.0 L=700mm	LEVEL FLOAT DKFBTF4600 2.0 L=700mm	RN560006A	18,82 €
8	VASCHETTA TELAIO INFERIORE	LOWER TRAY	RN283020F	39,71 €
9	COCLEA POLISTIROLO	POLYSTIRENE FAN COCHLEA	RN270702C	30,98 €
10	VENTOLA TANGENZIALE	TANGENTIAL FAN	R282089A	45,54 €
11	ASS. RACCORDO SCARICO A T	CONDENSATION DRAIN T-CONNECTION	RN320002A	17,60 €
12	FAN FULL DC B3P250-92 mm HIGH EFFICIENCY	FAN FULL DC B3P250-92 mm HIGH EFFICIENCY	RN520012B	213,07 €
13	SCHEDA MCU 2.0 FULL DC INVERTER	MCU BOARD 2.0 FULL DC INVERTER	RN550090A	74,25 €
14	MOTORE VENTIL DC LG	MOTOR DC LG	RN276300C	81,62 €
15	RESISTENZA EL_230-35W BACINELLA INFERIORE	EL. RESISTANCE 230-35W LOWER TRAY	RN560043B	50,93 €
16	CHIUSURA SUPERIORE PROTEZIONE ACQUA	WATER ELECTRICAL PART PROTECTION	RN283045B	16,21 €
	CHIUSURA SUPERIORE PROTEZIONE ACQUA	WATER ELECTRICAL PART PROTECTION	RN283045C	16,61 €
17	MADREVITE FISSAGGIO LAMIERA SOST. VENT.	FAN SUPPORT FIXING NUT	R282219A	8,76 €
18	POLISTIROLO ISOLAMENTO CUT OFF	POLYSTIRENE CUT OFF INSULATION	RN270703C	14,26 €
19	BACINELLA BATTERIA SUPERIORE	UPPER TRAY	RN283021B	20,79 €
20	ASS. BATTERIE SUPERIORI	UPPER COILS ASSEMBLY	RN592010B	152,24 €
21	CHIUSURA CENTRALE BATTERIE SUPERIORI	POLYSTIRENE UPPER COILS CLOSURE	RN272025B	15,86 €
22	FILTRO CON STAFFETTE	AIR FILTER ASSEMBLY	RN591816A	23,74 €
23	ASSIEME GRIGLIA ASPIRAZIONE RAL 9003	INLET GRILL RAL 9003	RN900005A299	81,29 €
24	TRAVERSA POSTERIORE RAL 9003	REAR METAL CROSS RAL 9003	RN212155A299	43,12 €
25	PASSACAVO IN GOMMA	PLASTIC CABLE GUIDE	RN283030B	9,03 €
26	FIANCO DESTRO RAL 9003	RIGHT METAL SIDE RAL 9003	RN212156A299	50,05 €
27	FIANCO SINISTRO RAL 9003	LEFT METAL SIDE RAL 9003	RN212157A299	50,05 €
28	INSONORIZZANTE CHIUSURA FRONTALE	FRONTAL INSULATION	RN272020D	35,86 €
29	PANNELLO CHIUSURA FRONTALE	FRONTAL CLOSING PANEL	RN212020E	36,18 €
30	DISPLAY	DISPLAY	RN550070ACF	129,58 €
32	ALETTA BASCULANTE RAL 9003 + SUPPORTI DX E SX	SWINGING FIN + SUPPORTS	RN220020A299	35,84 €
33	SUPPORTO SX ALETTA BASCULANTE	SWINGING FIN PLASTIC LEFT SUPPORT	RN279001A	10,71 €
34	MOTORE ALETTA BASCULANTE	STEP MOTOR SWINGING FIN	RN276014A	18,88 €
35	SUPPORTO DESTRA ALETTA BASCULANTE	SWINGING FIN PLASTIC RIGHT SUPPORT	RN279000A	10,71 €
36	CUSCINETTO IN TEFLON VENTILATORE	TEFLON BEARING FAN	R279392A	10,93 €
37	SUPPORTO ELASTICO VENTOLA	FAN ELASTIC HOLDER	R279362A	9,21 €
36+37	ASSIEME CUSCINETTO+SUPPORTO VENTOLA	TEFLON BEARING FAN+FAN ELASTIC HOLDER	RN279362A	18,70 €
38	STAFFA FISSAGGIO A MURO	WALL BRACKET	RN210232B	25,30 €
39	FOGLIO PLASTIFICATO PER TUBI PARETE	PLASTIC SHEET FOR WALL	RN270032B	19,47 €
40	GRIGLIE A MURO (KIT COMPLETO)	WALL GRILLS ASSEMBLY	RN599918C	66,88 €
41	INSONORIZZANTE POSTERIORE	REAR INSULATION	RN272010D	26,63 €
	CABLAGGIO COMPLETO FULL DC	CABLE GROUP FULL DC	RN576001A	427,90 €
43	ASSIEME TUBI VALV. 4 VIE	4 WAY VALVE WITH ELECTRICAL COIL	RN900043C	116,49 €

44	PROTEZIONE ANTINTRUSIONE POSTERIORE	LOWER FAN ANTI-INTRUSION GRILL	R212991A	13,02 €
45	FRONTALE RAL9003	FRONTAL METAL PART RAL9003	RN900041A299	111,21 €
46	KIT ESTETICO COPERTURA INFERIORE	LOWER CLOSURE KIT	GB0737II	66,00 €
47	DISTRIBUTORE CONDENSA BATTERIA	CONDENSATE COIL WATER DISTRIBUTOR	RN283023C	19,14 €
48	VALVOLA DI NON RITORNO DISTRIBUTORE	DISTRIBUTOR CHECK VALVE	RN300048A	18,26 €
49	ASS. TERMOATTUATORE CON CHIUSURA SCARICO	THERMOACTUATOR WITH DRAIN CLOSURE	RN580000A	26,58 €
50	ASS. RACCORDI SCARICHI BACINELLE SUPERIORI	UPPER COILS DRAIN CONNECTIONS	RN580002B	31,79 €
51	TELECOMANDO	REMOTE CONTROL	RN560009A	20,02 €
52	ISOLANTE ESTERNO MONTANTE	INSULATION EXTERIOR IRGHT	RN272093A	11,58 €
53	FLANGIA ASPIRAZIONE IN LAMIERA	INTAKE METAL FLANGE	RN212069A	23,16 €
54	FLANGIA INSTALLAZIONE A PARETE	WALL PLASTIC FLANGE	RN283047B	12,76 €
55	PROTEZIONE POSTERIORE CABLAGGIO	REAR WIRING PROTECTION	RN212058C	13,32 €
56	SONDA DOPPIA DI TEMPERATURA 5KΩ	TEMPERATURE SENSORS DOUBLE 5KΩ	RN276233A	23,16 €
57	DIMA PER INSTALLAZIONE 2018	INSTALLATION TEMPLATE	RN274100F	4,62 €
58	SCHEDA DRIVER	DRIVER BOARD	RN276243B	172,04 €
59	SCHEDA POWER	POWER BOARD	RN276242C	91,19 €
60	EEV - DFP(Q)1.3C-01(1)-RK + QA(Q)12-GL-01-RK	EEV - DFP(Q)1.3C-01(1)-RK + QA(Q)12-GL-01-RK	RN594764F	120,56 €
61	SONDA DI TEMPERATURA 187KΩ	DISCHARGE TEMPERATURE SENSOR 187KΩ	RN276200A	11,88 €
62	REACTOR 2.0 INVERTER WITH 250 "FLAG" TERMINALS	REACTOR 2.0 INVERTER WITH 250 "FLAG" TERMINALS	RN276244A	39,95 €
63	SIFONE 2.0	TRAP DRAIN	RN283054B	4,84 €

2.0 2020 INVERTER



15 HP CZMO15IC3II

POS	DESCRIZIONE	DESCRIPTION	CODICE/CODE	PREZZO DI LISTINO / LIST PRICE
1	BATTERIA DI CONDENSAZIONE	LOWER COIL	RN620023A	185,24 €
2	COMPRESSORE LG DST102MAD R32	COMPRESSORE LG DST102MAD R32	RN640138A	302,17 €
3	GRIGLIA ANTINTUSIONE	UPPER FAN ANTI-INTRUSION GRILL 2.0	RN212019B	25,48 €
4	CHIUSURA VASCHETTA TELAIO INFERIORE	LOWER TRAY CLOSING PART	RN283040C	27,17 €
5	POMPA DI SMALTIMENTO CONDENSA	CONDENSATION PUMP	RN640019A	55,00 €
6	GALLEGGIANTE DI MASSIMA DKRBTF4620 2.0 L=700mm	ALARM FLOAT DKRBTF4620 2.0 L=700mm	RN560007A	18,82 €
7	GALLEGGIANTE DI LIVELLO DKFBTF4600 2.0 L=700mm	LEVEL FLOAT DKFBTF4600 2.0 L=700mm	RN560006A	18,82 €
8	VASCHETTA TELAIO INFERIORE	LOWER TRAY	RN283020F	39,71 €
9	COCLEA POLISTIROLO	POLYSTIRENE FAN COCHLEA	RN270702C	30,98 €
10	VENTOLA TANGENZIALE	TANGENTIAL FAN	R282089A	45,54 €
11	ASS. RACCORDO SCARICO A T	CONDENSATION DRAIN T-CONNECTION	RN320002A	17,60 €
12	FAN FULL DC B3P250-92 mm HIGH EFFICIENCY	FAN FULL DC B3P250-92 mm HIGH EFFICIENCY	RN520012B	213,07 €
13	SCHEDA MCU 2.0 FULL DC INVERTER	MCU BOARD 2.0 FULL DC INVERTER	RN550090A	74,25 €
14	MOTORE VENTIL DC LG	MOTOR DC LG	RN276300C	81,62 €
15	RESISTENZA EL_230-35W BACINELLA INFERIORE	EL. RESISTANCE 230-35W LOWER TRAY	RN560043B	50,93 €
16	CHIUSURA SUPERIORE PROTEZIONE ACQUA	WATER ELECTRICAL PART PROTECTION	RN283045B	16,21 €
17	MADREVITE FISSAGGIO LAMIERA SOST. VENT.	FAN SUPPORT FIXING NUT	R282219A	8,76 €
18	POLISTIROLO ISOLAMENTO CUT OFF	POLYSTIRENE CUT OFF INSULATION	RN270703C	14,26 €
19	BACINELLA BATTERIA SUPERIORE	UPPER TRAY	RN283021B	20,79 €
20	ASS. BATTERIE SUPERIORI	UPPER COILS ASSEMBLY	RN592010B	152,24 €
21	CHIUSURA CENTRALE BATTERIE SUPERIORI	POLYSTIRENE UPPER COILS CLOSURE	RN272025B	15,86 €
22	FILTRO CON STAFFETTE	AIR FILTER ASSEMBLY	RN591816A	23,74 €
23	ASSIEME GRIGLIA ASPIRAZIONE RAL 9003	INLET GRILL RAL 9003	RN900005A299	81,29 €
24	TRAVERSA POSTERIORE RAL 9003	REAR METAL CROSS RAL 9003	RN212155A299	43,12 €
25	PASSACAPO IN GOMMA	PLASTIC CABLE GUIDE	RN283030B	9,03 €
26	FIANCO DESTRO RAL 9003	RIGHT METAL SIDE RAL 9003	RN212156A299	50,05 €
27	FIANCO SINISTRO RAL 9003	LEFT METAL SIDE RAL 9003	RN212157A299	50,05 €
28	INSONORIZZANTE CHIUSURA FRONTALE	FRONTAL INSULATION	RN272020D	35,86 €
29	PANNELLO CHIUSURA FRONTALE	FRONTAL CLOSING PANEL	RN212020E	36,18 €
30	DISPLAY	DISPLAY	RN550070ACF	129,58 €
32	ALETTA BASCULANTE RAL 9003 + SUPPORTI DX E SX	SWINGING FIN + SUPPORTS	RN220020A299	35,84 €
33	SUPPORTO SX ALETTA BASCULANTE	SWINGING FIN PLASTIC LEFT SUPPORT	RN279001A	10,71 €
34	MOTORE ALETTA BASCULANTE	STEP MOTOR SWINGING FIN	RN276014A	18,88 €
35	SUPPORTO DESTRA ALETTA BASCULANTE	SWINGING FIN PLASTIC RIGHT SUPPORT	RN279000A	10,71 €
36	CUSCINETTO IN TEFLON VENTILATORE	TEFLON BEARING FAN	R279392A	10,93 €
37	SUPPORTO ELASTICO VENTOLA	FAN ELASTIC HOLDER	R279362A	9,21 €
36+37	ASSIEME CUSCINETTO+SUPPORTO VENTOLA	TEFLON BEARING FAN+FAN ELASTIC HOLDER	RN279362A	18,70 €
38	STAFFA FISSAGGIO A MURO	WALL BRACKET	RN210232B	25,30 €
39	FOGLIO PLASTIFICATO PER TUBI PARETE	PLASTIC SHEET FOR WALL	RN270032B	19,47 €
41	INSONORIZZANTE POSTERIORE	REAR INSULATION	RN272010D	26,63 €
	CABLAGGIO COMPLETO FULL DC	CABLE GROUP FULL DC	RN576001B	427,90 €
43	ASSIEME TUBI VALV. 4 VIE	4 WAY VALVE WITH ELECTRICAL COIL	RN680027A	121,00 €
44	PROTEZIONE ANTINTRUSIONE POSTERIORE	LOWER FAN ANTI-INTRUSION GRILL	RN218910A	27,50 €
45	FRONTALE RAL9003	FRONTAL METAL PART RAL9003	RN900041A299	111,21 €

47	DISTRIBUTORE CONDENZA BATTERIA	CONDENSATE COIL WATER DISTRIBUTOR	RN283023C	19,14 €
48	VALVOLA DI NON RITORNO DISTRIBUTORE	DISTRIBUTOR CHECK VALVE	RN300048A	18,26 €
49	ASS. TERMOATTUATORE CON CHIUSURA SCARICO	THERMOACTUATOR WITH DRAIN CLOSURE	RN580000A	26,58 €
50	ASS. RACCORDI SCARICHI BACINELLE SUPERIORI	UPPER COILS DRAIN CONNECTIONS	RN580002B	31,79 €
51	TELECOMANDO	REMOTE CONTROL	RN560009A	20,02 €
52	ISOLANTE ESTERNO MONTANTE	INSULATION EXTERIOR IRGHT	RN272093A	11,58 €
53	FLANGIA ASPIRAZIONE IN LAMIERA	INTAKE METAL FLANGE	RN217588A	25,30 €
54	FLANGIA INSTALLAZIONE A PARETE	WALL PLASTIC FLANGE	RN300052A	14,30 €
55	PROTEZIONE POSTERIORE CABLAGGIO	REAR WIRING PROTECTION	RN212058C	13,32 €
56	SONDA DOPPIA DI TEMPERATURA 5KΩ	TEMPERATURE SENSORS DOUBLE 5KΩ	RN276233A	23,16 €
57	DIMA PER INSTALLAZIONE 2.0 15HP D.200	2.0 15HP D.200 INSTALLATION TEMPLATE	RN420492A	11,00 €
58	SCHEDA DRIVER	DRIVER BOARD	RN276243B	172,04 €
59	SCHEDA POWER	POWER BOARD	RN276242D	91,19 €
60	EEV - DFP(Q)1.3C-01(1)-RK + QA(Q)12-GL-01-RK	EEV - DFP(Q)1.3C-01(1)-RK + QA(Q)12-GL-01-RK	RN594764F	120,56 €
61	SONDA DI TEMPERATURA 187KΩ	DISCHARGE TEMPERATURE SENSOR 187KΩ	RN276200A	11,88 €
62	REACTOR 2.0 INVERTER WITH 250 "FLAG" TERMINALS	REACTOR 2.0 INVERTER WITH 250 "FLAG" TERMINALS	RN276244A	39,95 €
63	SIFONE 2.0	TRAP DRAIN	RN283054B	

2.0 2020 INVERTER

