



## DeltaSol® SLL

The RESOL DeltaSol® SLL is the smallest controller of the SL series. Its equipment is optimised for small and medium-sized solar thermal and heating systems, 10 pre-configured basic systems are available. The DeltaSol® SLL is also the first controller of its category to offer the automatic function control according to the VDI 2169 directive.

Additionally, it is equipped with a potential-free extra-low voltage relay for backup heating demand and a V40 flowmeter input for heat quantity measurement.



rosenthal design 



## Versatile and easy to operate!

- Microbuttons for quick access to the manual mode and the holiday function
- 3 relay outputs (incl. 1 potential-free extra-low voltage relay)
- 4 inputs for Pt1000, Pt500 or KTY temperature sensors
- 1 V40 impulse input
- 2 PWM outputs for the speed control of high-efficiency pumps
- 10 basic system layouts to choose from
- Automatic function control according to VDI 2169

### RESOL DeltaSol® SLL

Price bracket A | Article no.: **115 431 53**

### RESOL DeltaSol® SLL – Full kit

Incl. 3 Pt1000 sensors (1 x FKP6, 2 x FRP6)

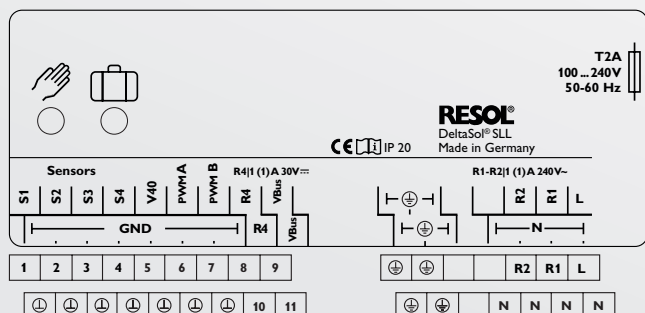
Price bracket A | Article no.: **115 431 63**

Customised and OEM versions are available on request.  
Please contact our sales team.

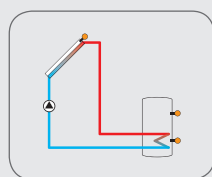
Manuals available:



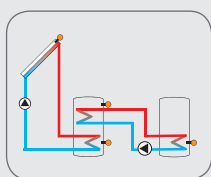
## ELECTRICAL CONNECTION



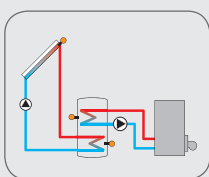
## EXAMPLES



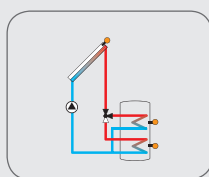
Solar system with 1 store



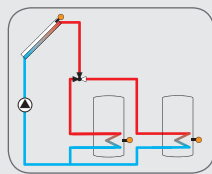
Solar system with 1 store and heat exchange control



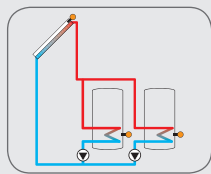
Solar system with 1 store and thermostatic backup heating



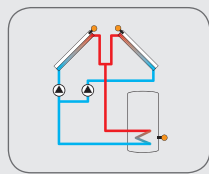
Solar system with store loading in layers



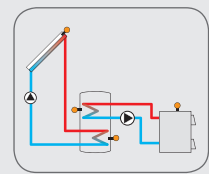
Solar system with 2 stores, valve logic



Solar system with 2 stores, pump logic



Solar system with east-west collectors and 1 store



Solar system with 1 store and solid fuel boiler

## ACCESSORIES

### RESOL KM2 Communication module



Incl. RESOL service CD, network cable and mains adapter; VBus® cable pre-connected

Price bracket A | Article no.: **180 012 10**

### RESOL V40



V40 flowmeter in different versions

### RESOL SP10



Sensor overvoltage protection

Price bracket A | Article no.: **180 110 70**

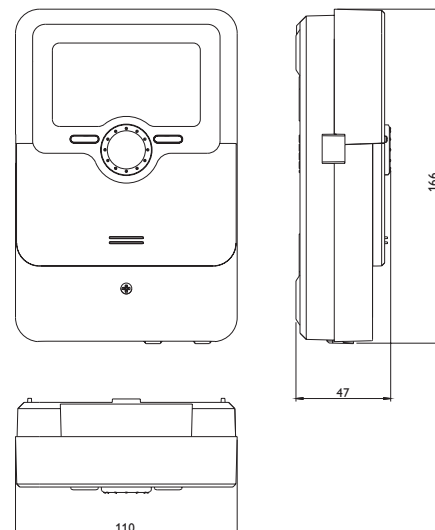
### RESOL AM1



Alarm module for signalling system failures

Price bracket B | Article no.: **180 008 70**

## TECHNICAL DATA



**Inputs:** 4 inputs for Pt1000, Pt500 or KTY temperature sensors, 1 V40 impulse input

**Outputs:** 2 semiconductor relays, 1 potential-free extra-low voltage relay, 2 PWM outputs

**PWM frequency:** 1000 Hz

**PWM voltage:** 10.5 V

**Switching capacity:**

1 (1) A 240 V~ (semiconductor relay)

1 (1) A 30 V~ (potential-free relay)

**Total switching capacity:** 2 A 240 V~

**Power supply:** 100 ... 240 V~ (50 ... 60 Hz)

**Supply connection:** type Y attachment

**Standby:** 0.66 W

**Temperature controls class:** I

**Energy efficiency contribution:** 1 %

**Mode of operation:** type 1.B.C.Y action

**Rated impulse voltage:** 2.5 kV

**Data interface:** RESOL VBus®

**VBus® current supply:** 60 mA

**Functions:** operating hours counter, tube collector function, thermostat function, pump speed control, heat quantity measurement, adjustable system parameters and optional functions (menu-driven), balance and diagnostics function, function control according to VDI 2169

**Housing:** plastic, PC-ABS and PMMA

**Mounting:** wall mounting, mounting into patch panels is possible

**Indication/Display:** System-Monitoring-Display for system visualisation, 16-segment-display, 8 symbols for indication of the system status, operating control LED (Lightwheel®)

**Operation:**

4 push buttons and 1 adjustment dial (Lightwheel®)

**Ingress protection:** IP 20/EN 60529

**Protection class:** I

**Ambient temperature:** 0 ... 40 °C

**Pollution degree:** 2

**Dimensions:** 110 x 166 x 47 mm